
Contents Chapter 10

10.1 Spare parts

Spare parts**10.1 Spare parts****Blast housing and seals**

Item	Part no.	Description	QTY.
1	600-1058	Front locating plate inner/outer	2
2	E00935	Front skirt outer	1
3	-	Front seal box (part of blast housing)	-
4	E00934	Front skirt intermediate	1
5	600-1057	Front skirt fixing plate	1
6	E00933	Front skirt inner	1
7	500-1021-SE	Side seal spring plate	2
8	500-1020	Side seal	2
9	E00477	Bolt for side brush	4
10	600-1062	Side skirt inner (set of 2)	1
11	600-1043	Floating side brush left	1
12	600-1060	Side skirt outer (set of 2)	1
13	600-1061	Side skirt fixing plate	2
14	600-1044	Floating side brush right	1
15	E00932	Back brush inner	1
16	E00931	Back brush outer	1
17	E00921	Drive wheel spacer	2
18	600-2425-S	Drive wheel	2
19	600-9006-S	Blasthousing cabinet 600 S	1
20	500-1115	Top liner cover	1
21	500-2030-SE	Side seal spring	4

Spare parts

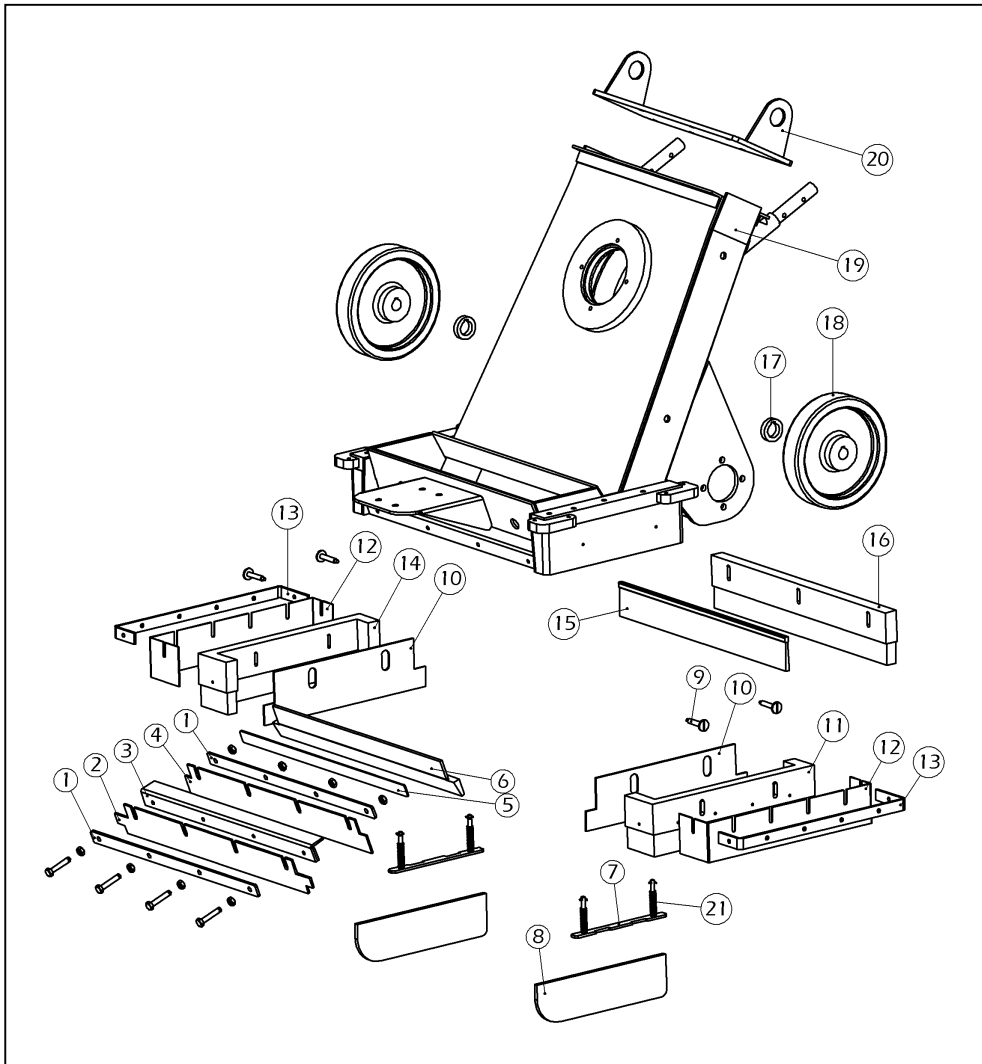


Fig. 10.1

Spare parts

Blast wheel parts and liners

Item	Part no.	Description	QTY.
1	500-1040	Top liner	1
2	500-1035	Liner RH	1
3	500-1030	Liner LH	1
4	600-1025	Blast wheel	1
5	600-1005	Blades (set of 6)	1
6	600-1015	Impeller	1
7	500-1245	Impeller bolt	1
8	500-1010	Control cage	1
9	500-9041-SEVU	Cage clamp	2

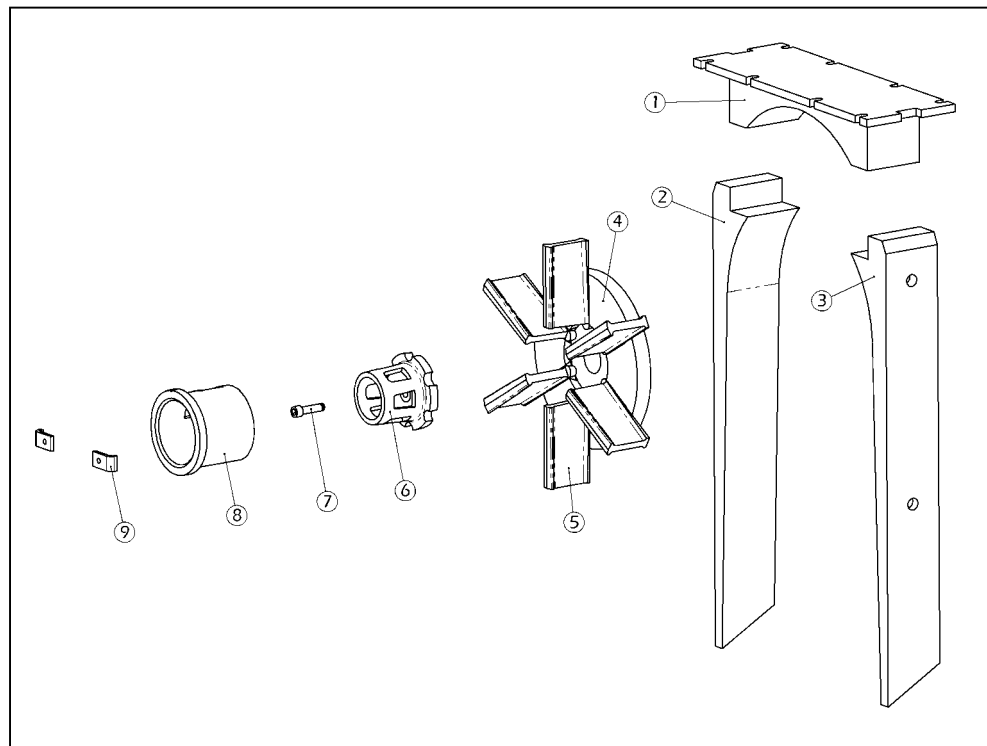


Fig. 10.2

Spare parts

Separator, magnet separator and hopper

Item	Part no.	Description	QTY.
1	600-9120	Separator housing	1
2	500-9119-SE	Separator door	1
3	600-9118-SE	Baffle plates	1
4	E00924	Magnet separator housing	1
5	E00920	Hopper tray	1
6	600-1067	Abrasive storage hopper	1
7	600-9240	Shot valve axle housing	1
8	500-1071	Shot valve insert (steel)	2
9	500-1070	Shot valve insert (rubber)	1
10	500-1065-SE	Feed spout rubber	1
11	500-9112-SE	Shot valve handle	1
12	500-1072-SE	Shot lever shaft	1
13	500-2015-SE	Shot valve axle	1
14	E00465	Motor incl. gearbox for drum magnet	1
15	600-2515	Drum magnet	1

Spare parts

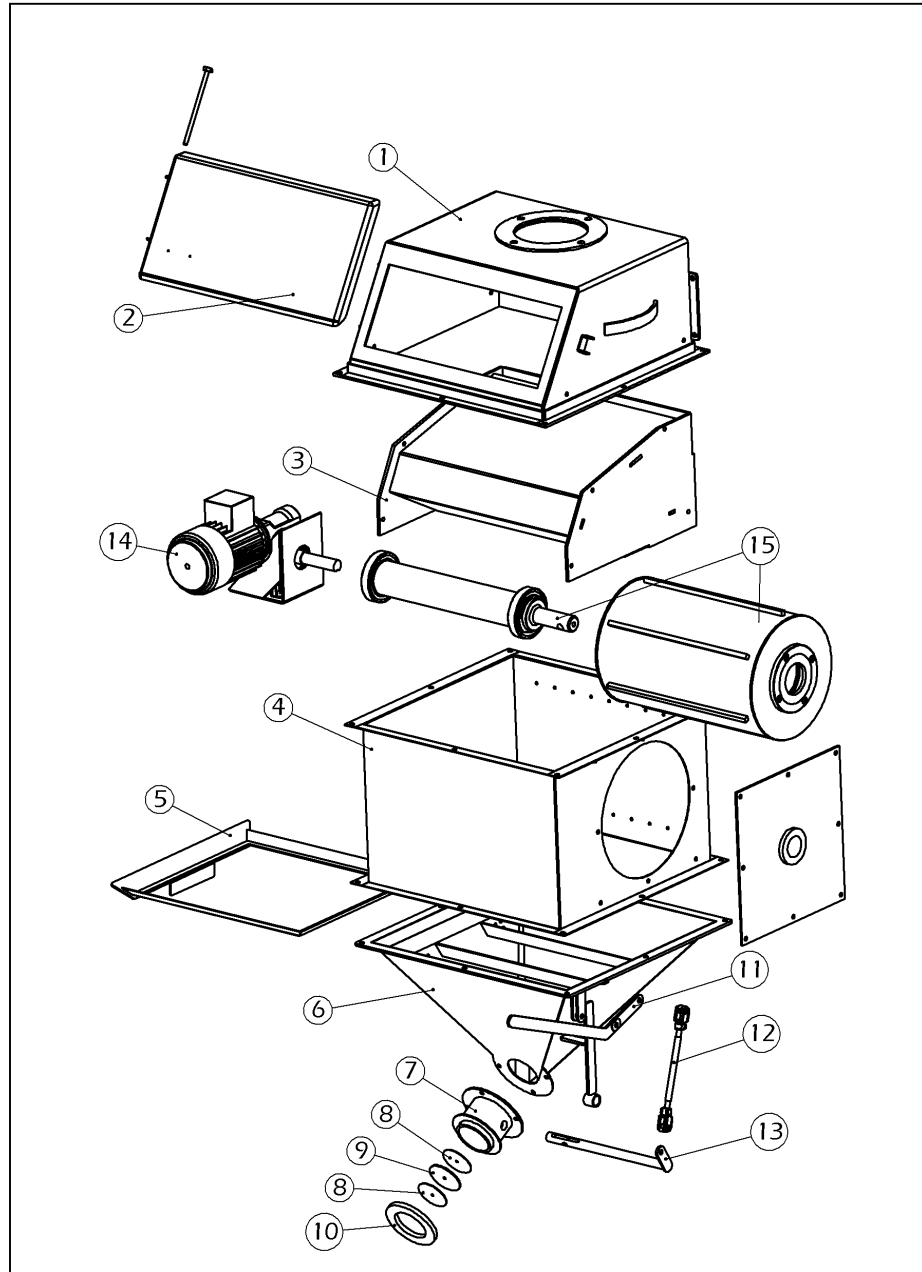


Fig. 10.3

Spare parts

Lowering set

Item	Part no.	Description	QTY.
01	500-1094/2	Fan adapter belt guard	1
02	E00951	Inner circlip	2
03	222-2249	Bearing fan adapter	2
04	500-1087	Top plate fan adapter	1
05	222-2270	Taperlock bush	2
06	500-2469	V-belt pulley	2
07	500-2465-SE	V-belt	1
08	500-1088	Shaft fan adapter	1
09	500-1093	Spacer bush fan adapter	4
10	500-1089	Bearing spacer fan adapter	1
11	500-1084	Bottom plate fan adapter	1
12	500-1094/1	Fan adapter frame	1
13	500-1085	Fan impeller	1
14	D50-3055	Fan motor	1
15	500-1090	Fan housing	1
16	500-1120	Fan housing elbow	1
17	500-9025	Fan housing plate (bottom)	1
18	035-9035	Fan ring	1

Spare parts

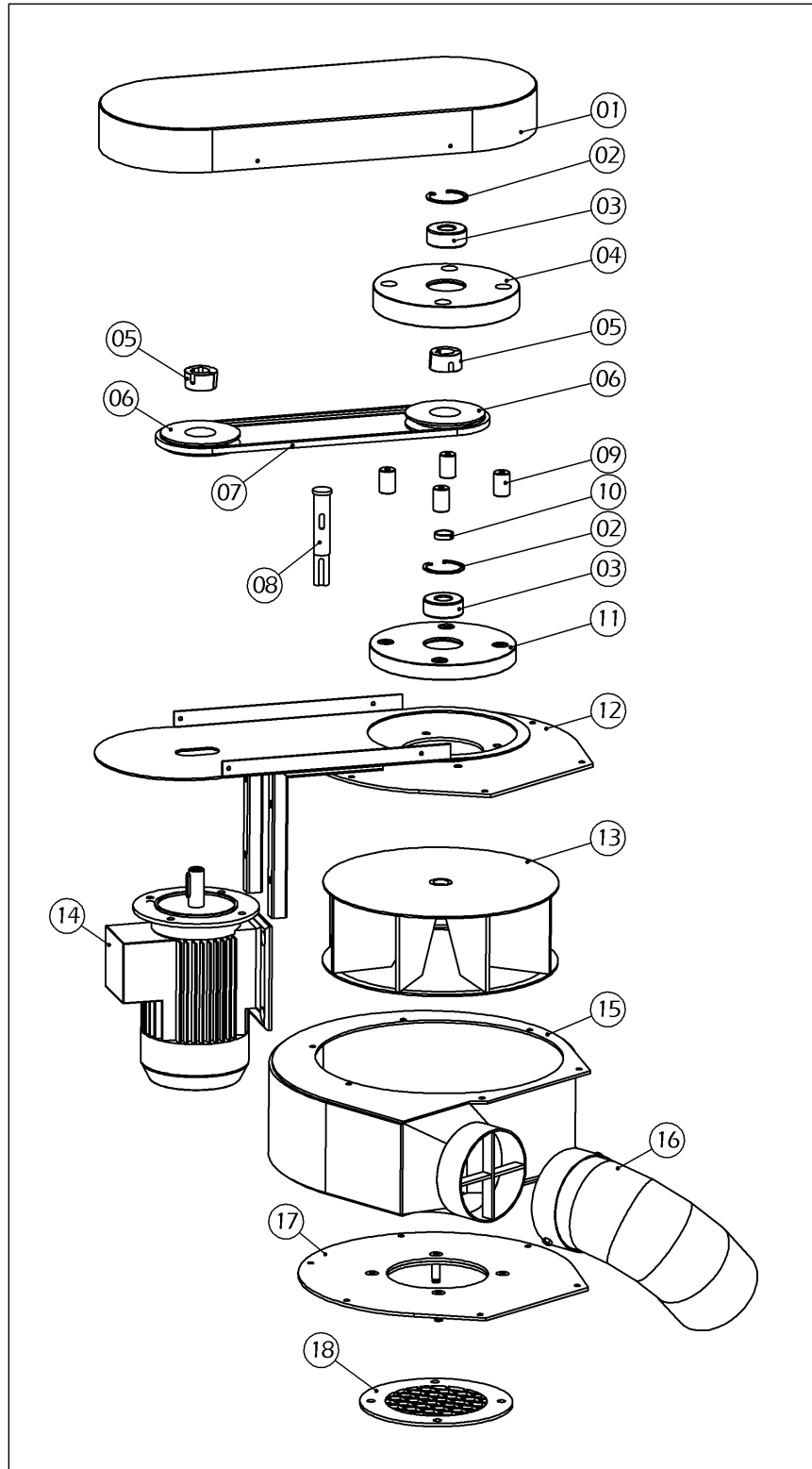


Fig. 10.4

Spare parts

Recovery duct

Item	Part no.	Description	QTY.
01	600-9016-S	Recovery duct	1
02	600-9110-S	Electro box complete	1
03	E00927	Main box protector	1
04	500-4032-VH	Push cylinder (hydraulic)	1
05	E00926	Push cylinder holder	1
06	E00922	Push cylinder wheel	1
07	500-2010-SEH	Front wheel castor	1

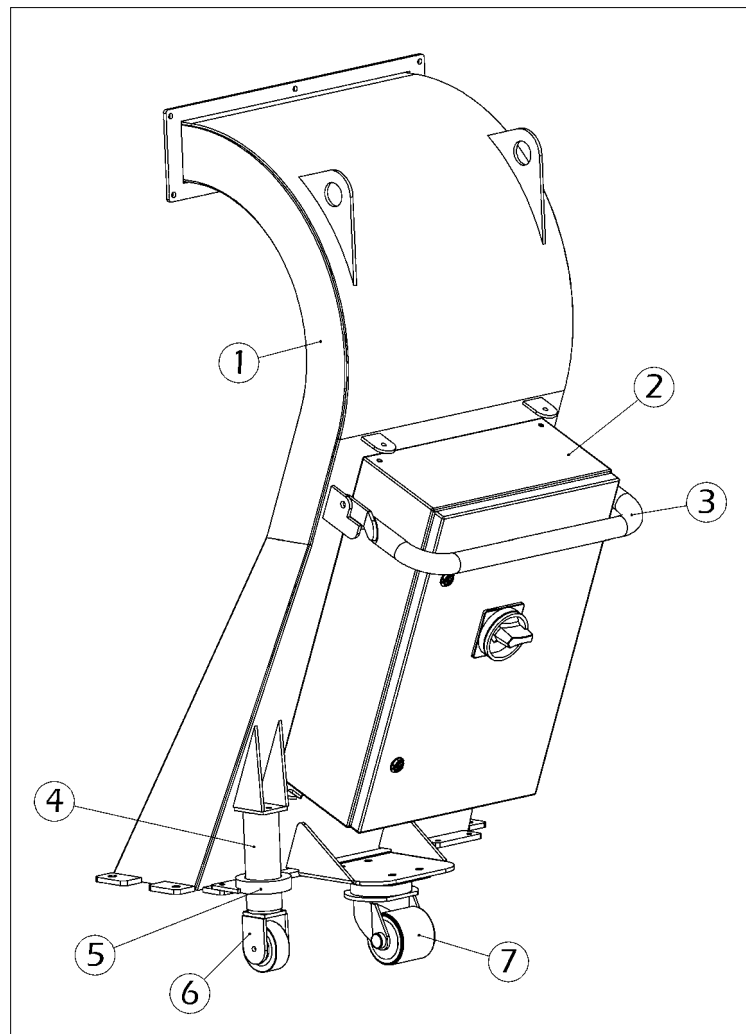


Fig. 10.5

Spare parts

Control handle and blast wheel drive

Item	Part no.	Description	QTY.
01	500-9085-S	Handle (sheet metal)	1
02	600-3404	Remote controlbox complete	1
03	600-3020	Blast motor 35.6 kW	1
04	600-9090	Protection motor bracket	1
05	600-9007	Motor adaption plate	1

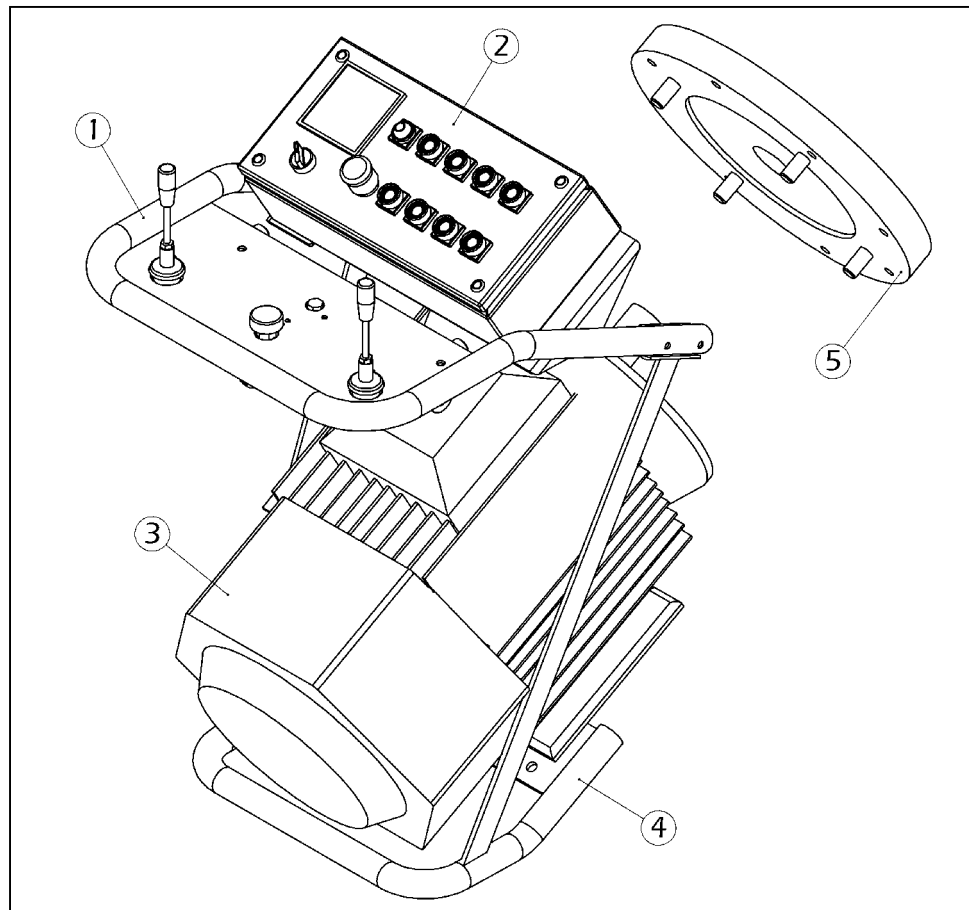


Fig. 10.6

Spare parts

Hydraulic set

Item	Part no.	Description	QTY.
1	600-4101-S	Hydraulic hose set	1
2	035-4105-S	Hydraulic directional control valve	2
3	035-4175-S	Pressure relief valve	1
4	035-4173-S	Return filter	1
5	500-4115-SV	Flange coupling	2
6	E00955	Non-return valve	1
7	E00954	Hydraulic 4/3 valve	1
8	500-4173-S	Gear pump	1
9	500-4114-S	Pump bracket	1
10	500-4116-S	Flexible coupling	1
11	500-3060-S	Pump motor 2.2 KW	1
12	500-3085-S	Filling-venting filter	1
13	600-4005-S	Drive motor (hydr.)	2
14	500-4030-S	Flow control valve	1
15	350-4172-S	Level gauge with thermo	1

Spare parts

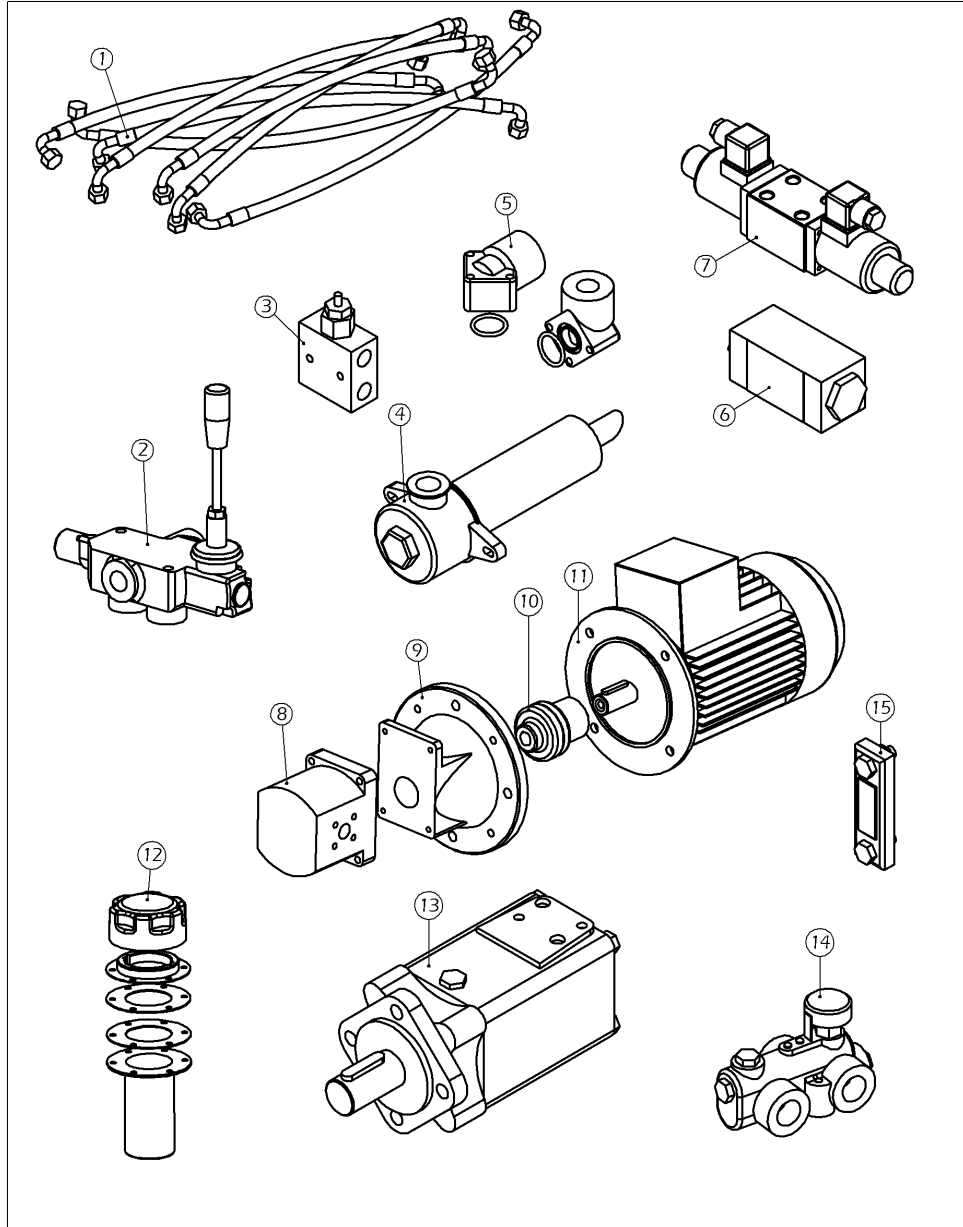


Fig. 10.7